



## PRODUCT SUPPORT.....SERVICE NEWS

BULLETIN NO.: 99-024A	DATE: July 1, 2001 (Rev.)	PAGE: 1 of 4
TITLE: Bucket stops	RELEASE: Dealer	
SECTION: Chassis, General	MODEL: All models	

### GENERAL:

Setting roll back and dump stops can be done as follows.

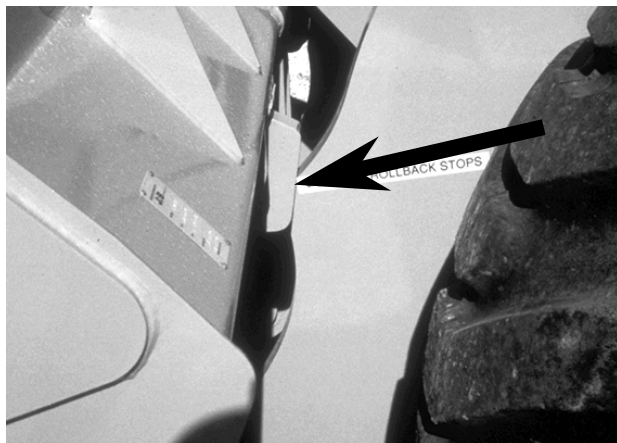
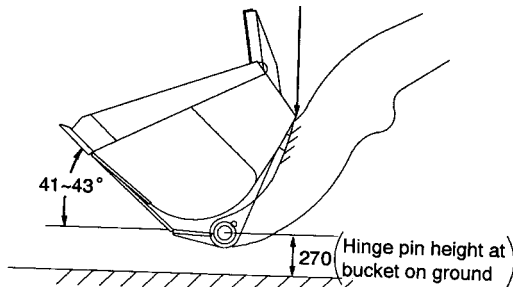
### DETAIL:

Using a magnetic inclinometer, roll back can be set as shown in the Shop Manuals. Contact attachment supplier for details if you are installing your own bucket.

- Set incline angle. **Be sure that the cylinder is not at end of travel!**
- Position stops firmly and evenly on both sides.
- Tack into position with welder. Use E7018 rod to do this. Refer to Service News Bulletin no. 99-004.
- Roll bucket forward and finish welding stops into position. Ref. Shop manual for safety information on precautionary steps to take.
- **IMPORTANT;** Cylinder must not go to end of travel at roll back.

### 95ZIV/ZIV-2 shown

Angle is typical only. As linkage wears, the roll back stops should continue to contact before cylinder gets to end of travel. Leave cylinder extended enough to be able to do this.



## ⚠ WARNING

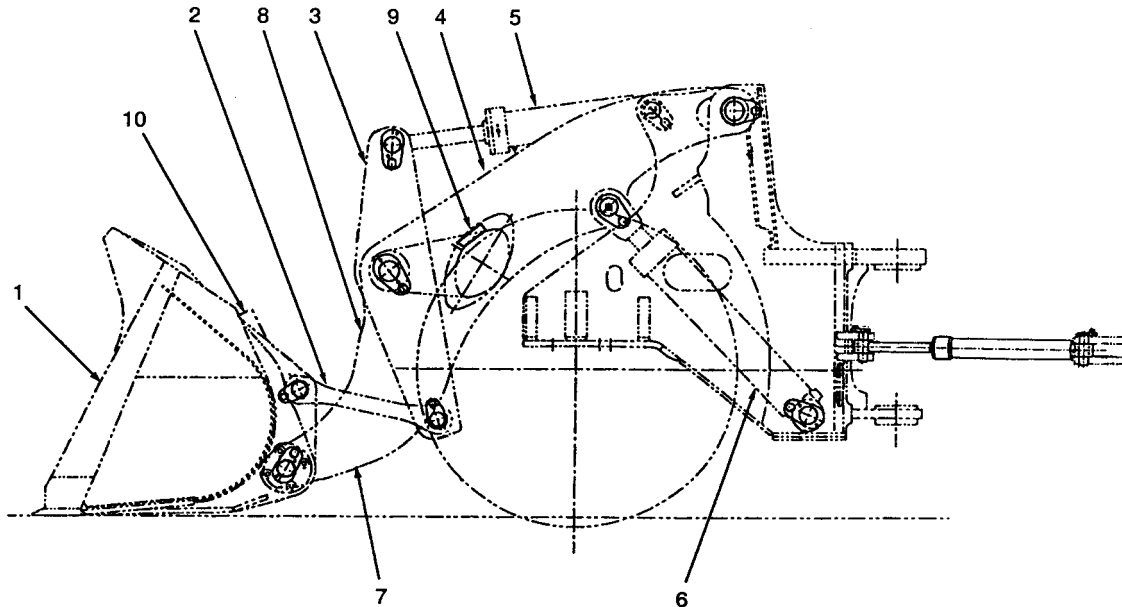
**Fire and electric shock can kill!  
Do not take chances!**

- **Take all possible precautions to keep from injuring yourself and others.**
- **Be sure that all structural parts are firmly fixed and well supported before welding to keep pieces from dislodging from heat expansion and injuring someone.**
- **Do not weld or ground through pressurized hydraulic circuits or cylinders. Hot oil can burn severely, causing severe injury or death.**
- **Be careful that bystanders are not harmed by arc flash.**



**PRODUCT SUPPORT.....SERVICE NEWS**

<b>BULLETIN NO.:</b> 99-024A	<b>DATE:</b> July 1, 2001 (Rev.)	<b>PAGE:</b> 2 of 4
<b>TITLE:</b> Bucket stops	<b>RELEASE:</b> Dealer	
<b>SECTION:</b> Chassis, General	<b>MODEL:</b> All models	

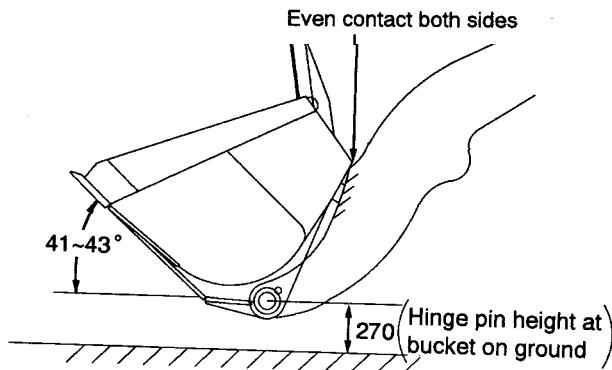


**COMPONENT IDENTIFICATION [95ZIV/ZIV-2 shown]**

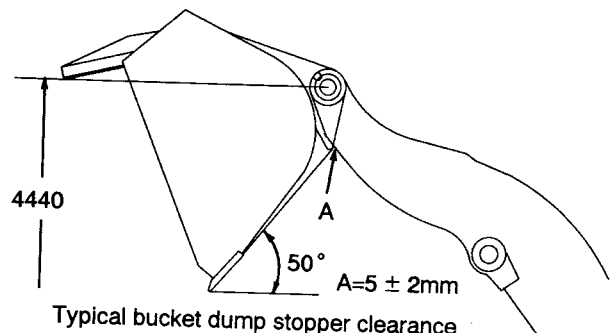
97ZA1201

- 1. Bucket
- 2. Link
- 3. Lever
- 4. Boom
- 5. Bucket cylinder

- 6. Boom cylinder
- 7. Dump stopper surface
- 8. Roll-back stopper surface
- 9. Lever stopper surface
- 10. Bucket stop plate  
(Design differs by manufacturer of the attachment)



Typical bucket roll-back stopper adjustment  
(Contact attachment supplier for details on non-standard attachments)



Typical bucket dump stopper clearance  
(Contact attachment supplier for details on non-standard attachments)  
To increase clearance increase height of #9  
To reduce clearance decrease height of #9

KAWASAKI CONSTRUCTION MACHINERY  
CORP. OF AMERICA  
KENNESAW, GEORGIA  
(770) 499-7000 PHONE / (770) 421-6843 FAX



# PRODUCT SUPPORT.....SERVICE NEWS

BULLETIN NO.: 99-024A

DATE: July 1, 2001 (Rev.)

PAGE: 3 of 4

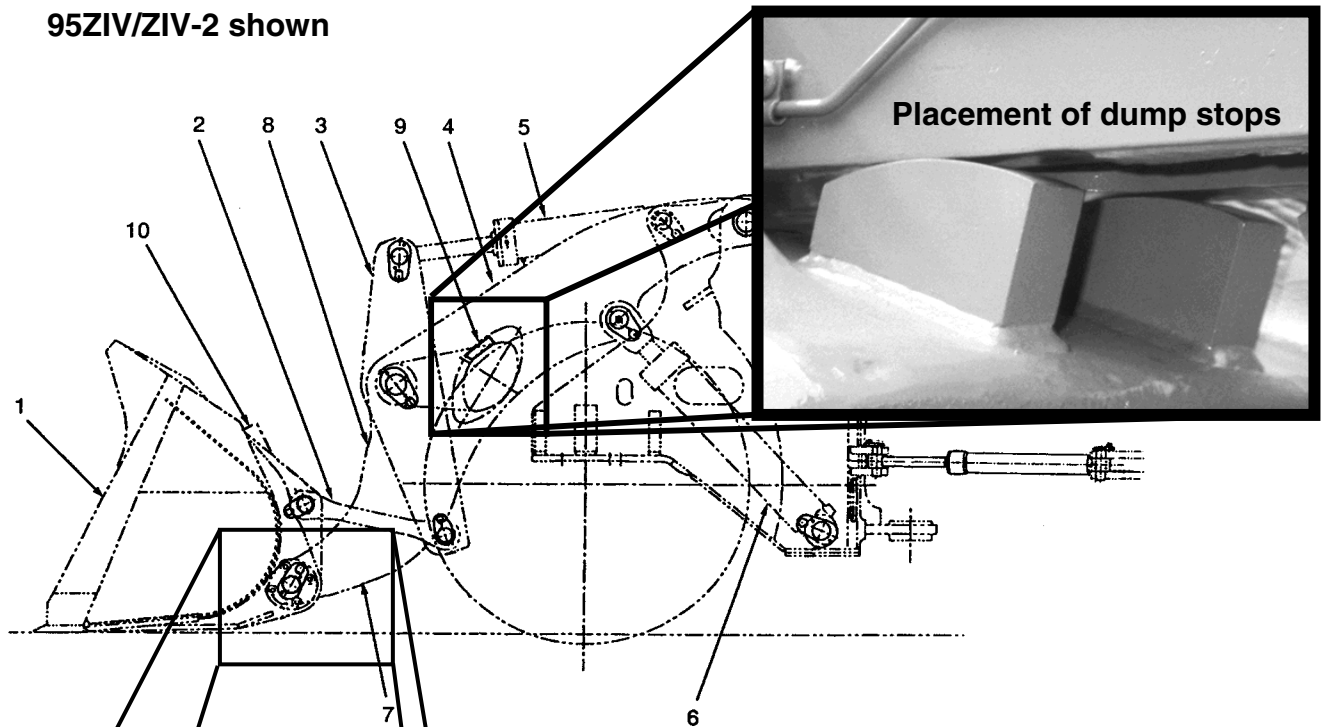
TITLE: Bucket stops

RELEASE: Dealer

SECTION: Chassis, General

MODEL: All models

95ZIV/ZIV-2 shown



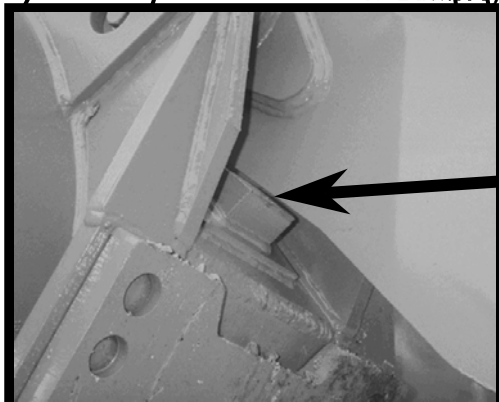
Placement of dump stops

97ZA1201

- 1. Bucket
- 2. Link
- 3. Lever
- 4. Boom
- 5. Bucket cylinder

- 6. Boom cylinder
- 7. Dump stopper surface
- 8. Roll-back stopper surface
- 9. Lever stopper surface
- 10. Bucket stop plate

(Design differs by manufacturer of the attachment)



This lower dump stop is found on models \*70~115ZIII/ZIV/ZIV-2 with factory mounted buckets.  
Also \*65ZIV-2 with quick coupler.



# PRODUCT SUPPORT.....SERVICE NEWS

BULLETIN NO.: 99-024A

DATE: July 1, 2001 (Rev.)

PAGE: 4 of 4

TITLE: Bucket stops

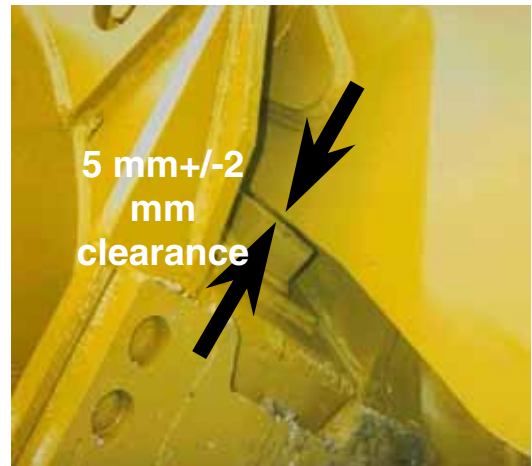
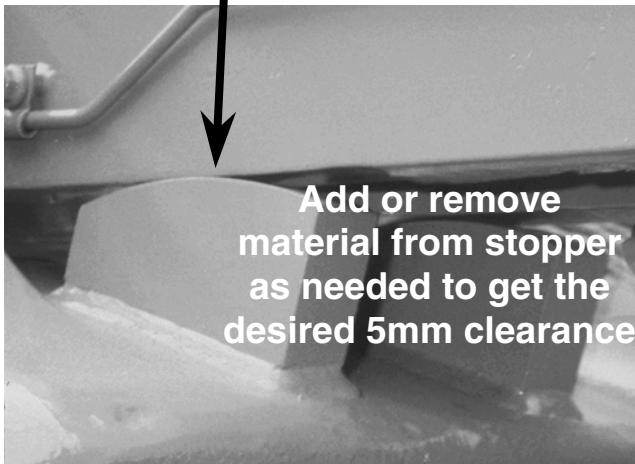
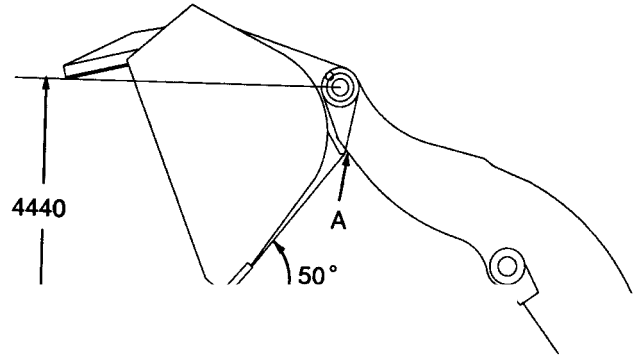
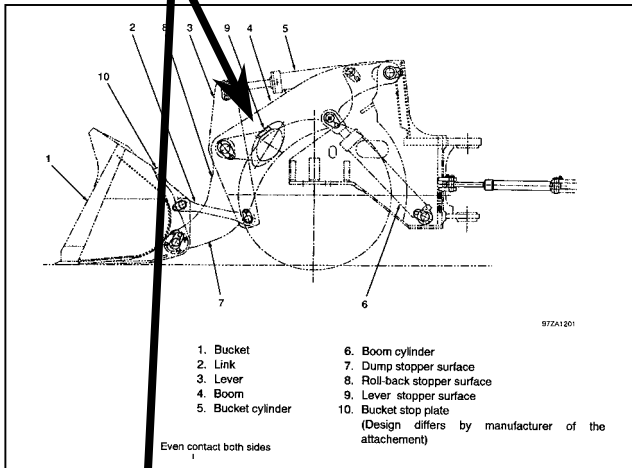
RELEASE: Dealer

SECTION: Chassis, General

MODEL: All models

## Setting Dump Stops

Dump stop adjustment at torque tube on boom.



70~115ZIII/ZIV/ZIV-2 with factory mounted buckets.