



Kawasaki Construction Machinery Corp. of America  
 2140 Barrett Park Dr. Ste. 101  
 Kennesaw, Ga. 30144



## Order form for Seat Belts

(Note to dealers; confirm part numbers before ordering.)

If your seat belt does not function as designed, please be aware that a new replacement seat belt is available. Please refer to the following order form and seat belt instructions.

Please complete the form below. You may contact the local Kawasaki Dealer Parts Dept. by using the Kawasaki Loader Dealer locator. [Click here](#) for dealer locator. Call your local dealer, get their fax number and send them this needed information by fax.

Warning. Be aware that suspension tether must be replaced with seat belt when it is replaced. See page two.

Machine Model Number: \_\_\_\_\_

Machine Serial Number: \_\_\_\_\_

Customer name: \_\_\_\_\_

Customer Phone number: \_\_\_\_\_

Date: \_\_\_\_\_

Shipping address: \_\_\_\_\_

\_\_\_\_\_

\_\_\_\_\_

\_\_\_\_\_

Comments: \_\_\_\_\_

\_\_\_\_\_

\_\_\_\_\_

## Seat Belt



### WARNING

Improper use or maintenance of seat belt could result in death or serious injury.

Check operation of seat belt prior to operating machine.

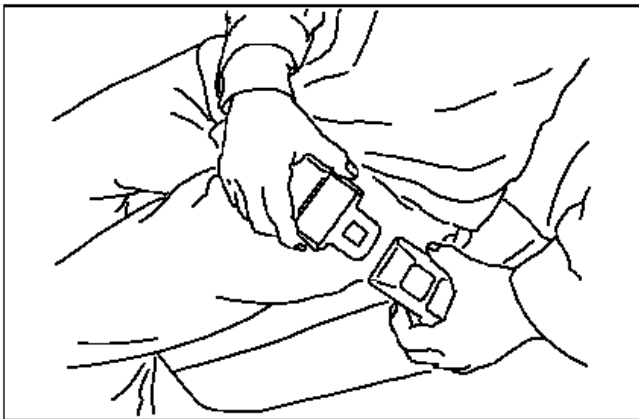
- Inspect seat belt tether, and mounting hardware before operating machine.
- Replace any defective components before operating machine.
- Always fasten seat belt when operating machine.
- Make sure that seat belt retracts smoothly (ZIV-2/ZV).
- Replace seat belt and tether every three years regardless of appearance. Dirt can cut fibers, and weaken belt.
- Adjust tether so it is snug without operator in seat (ZII/ZIII/ZIV).

### Note

Seat belts are available as kits. Please refer to the kit numbers below and order as required.

ZII/ZIII/ZIV seat belt kit (belt set & tethers)  
use part number 4300570020KIT.

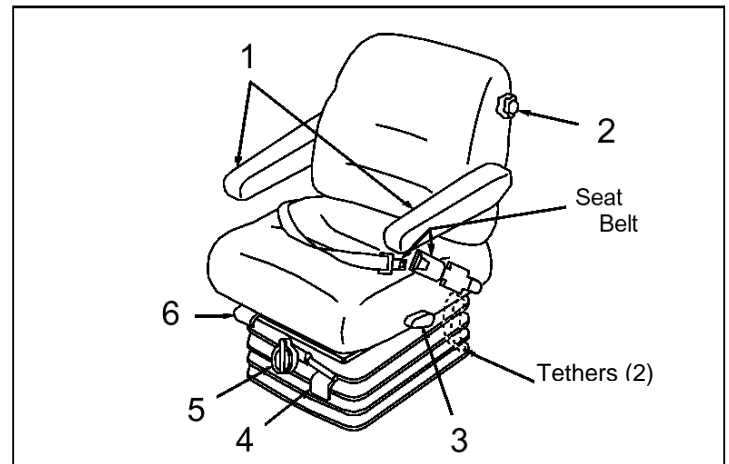
ZIV-2/ZV/ZV-2 seat belt kit (belt set & tethers)  
use part number 4300560051KIT.



1. Fasten seat belt along your body without kinking or twisting it. The seat belt buckle should firmly "snap" when coupled.

Keep buckle free of dirt and debris.

2. For releasing the seat belt, push the red button where the belt attaches.



### Note:

- Seat belt should retract smoothly (ZIV-2/ZV).
- Tethers are mounted inside of suspension assembly area on models ZIV-2/ZV.
- For models ZII/ZIII/ZIV, tethers are mounted outside of the suspension assembly area.